

FinMilModels

Sisu M-163

Sisu M-163 is a 3-axle truck made by Sisu 1969-1984.

This 1/87 kit include 2 sprue, plastic for windows and wheels. From this kit you have possibility to build one of these models, fire truck, tank truck, log truck, "semi-trailer truck", "dropside/flatbed truck"

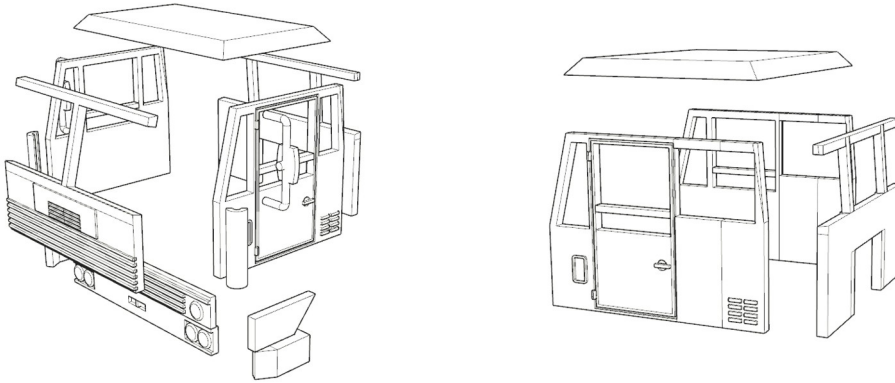
Also you have possibility to build two different truck cabin, so this kit gives you lot of possibilities, from milk truck to log truck. Parts what you do not use, you can always use as decoration on your layout or diorama.

Please read instructions before you start. You can assamble parts separately, so it is easier to paint.

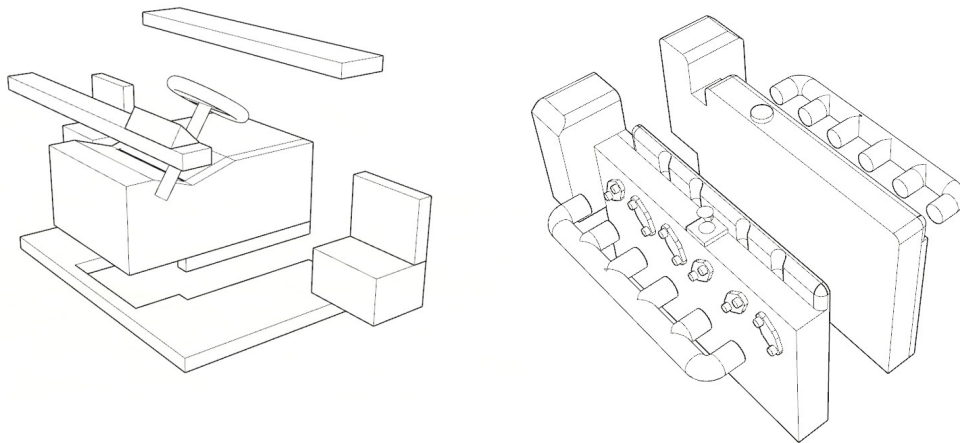


Page 1

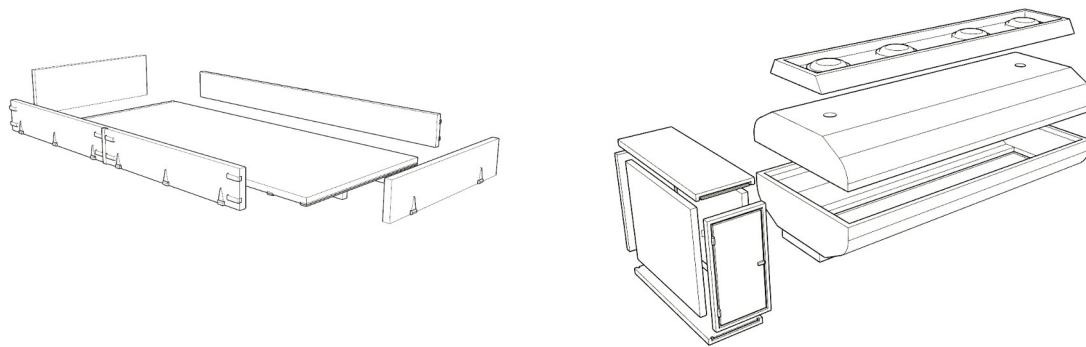
You can build short cabin or sleeping cabin. It is easier to add plastic for windows after painting cabin. BUT if you like to build fire truck, please see instructions for it before you build the cabin!!



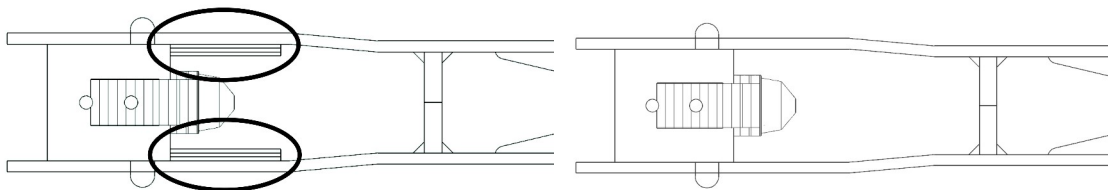
Cabin interior and engine. Notice, that there are two different bed



Flatbed and tank

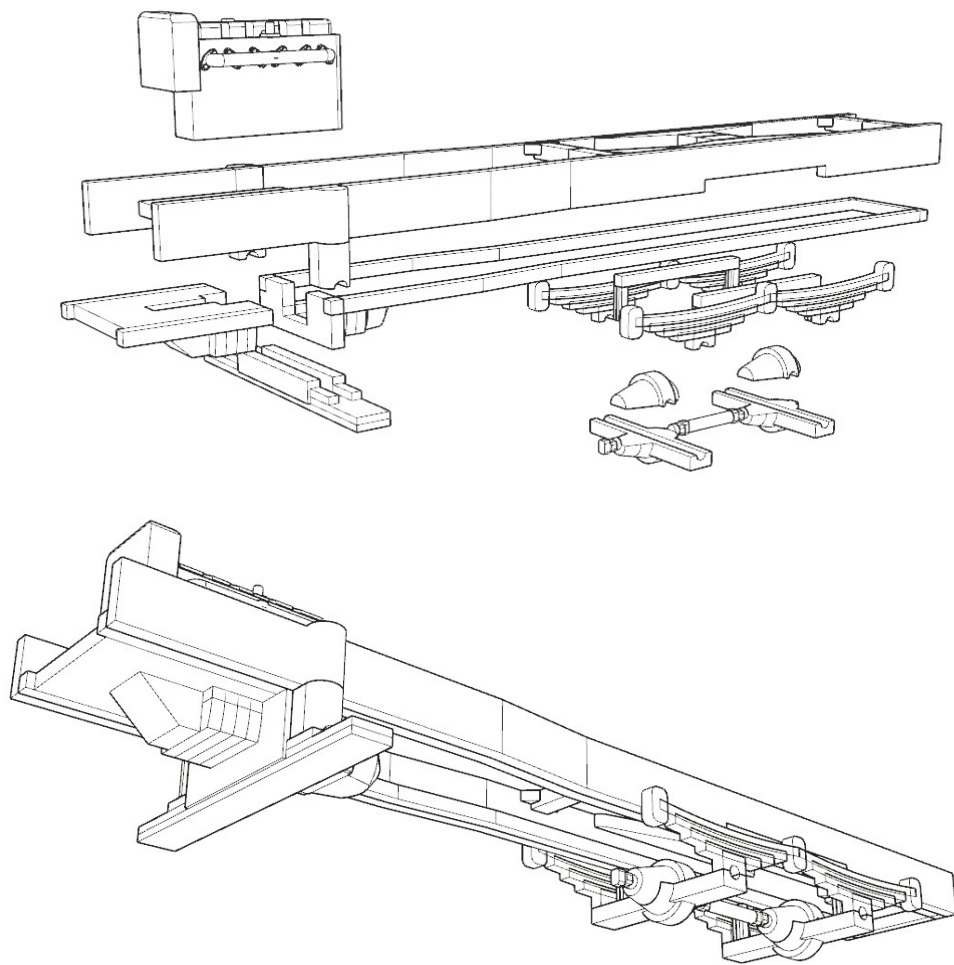


Look at this part carefully. Because of fabrication, two parts of the mold had to be reinforced, you can see on picture. You need to remove 1 x 1,5mm on both sides

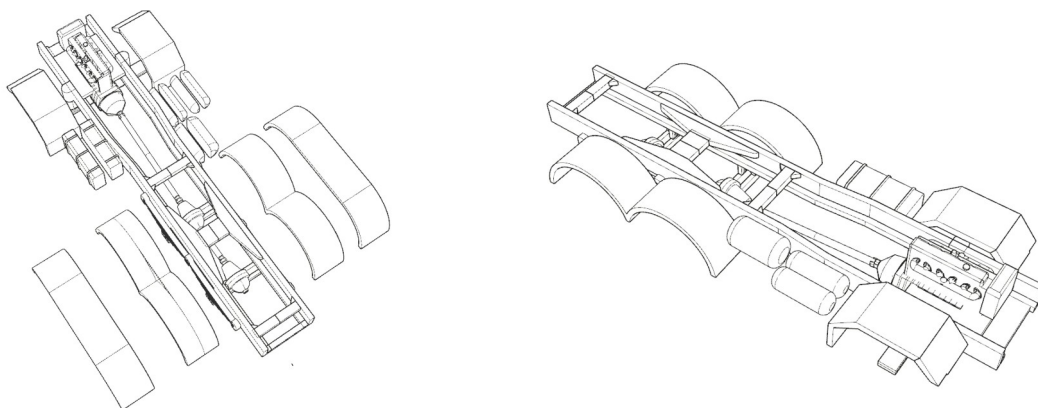


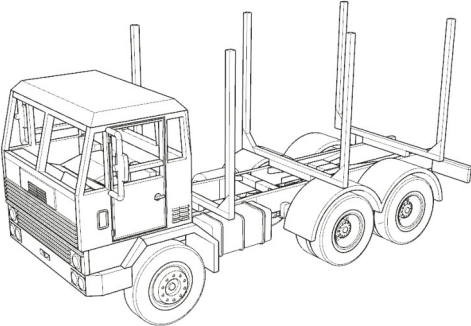
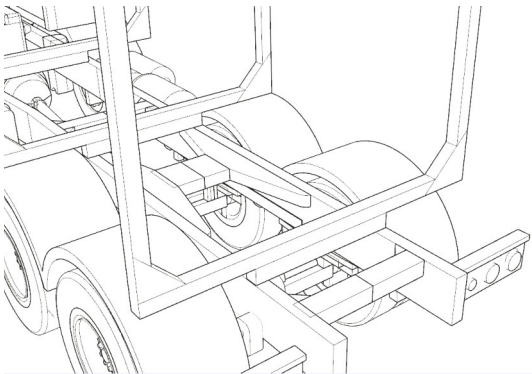
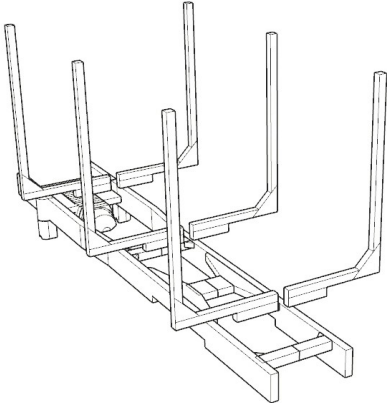
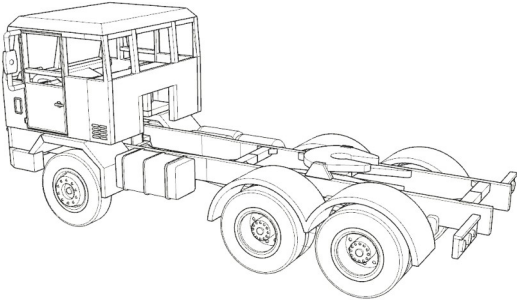
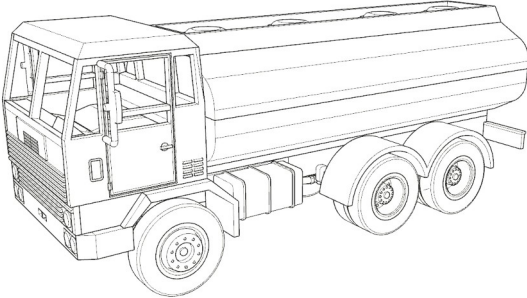
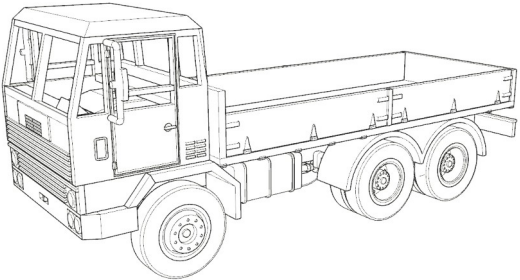
Page 2 Frame

This show you how to assemble whole frame.



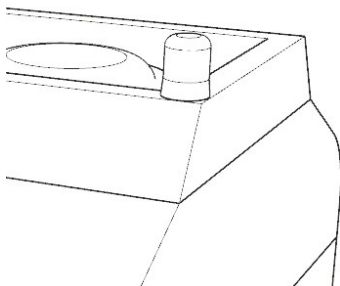
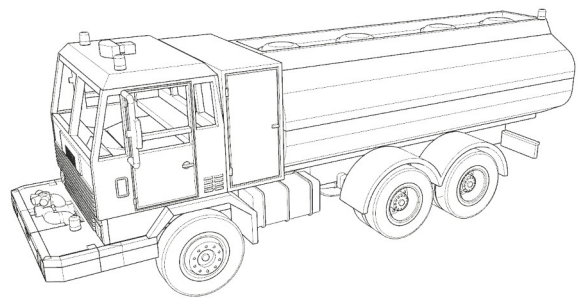
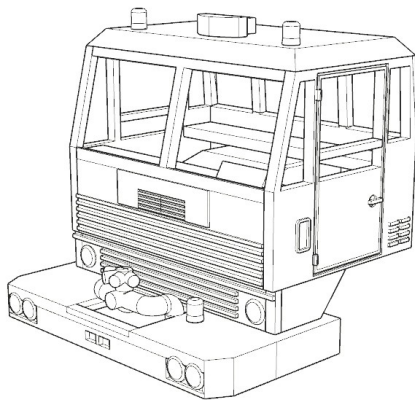
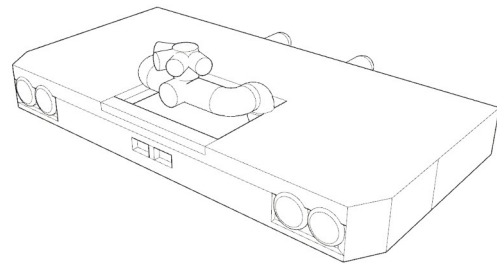
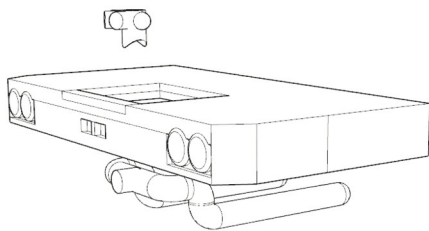
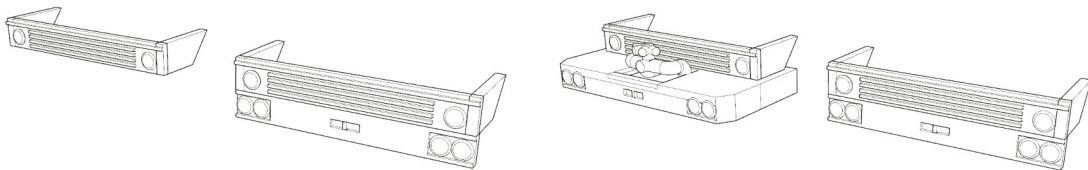
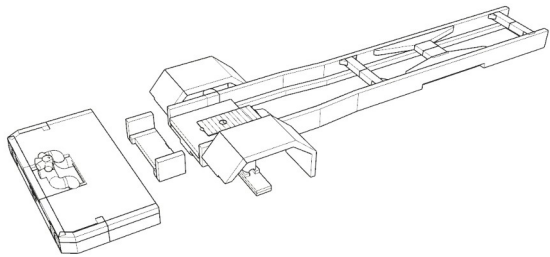
Air and gasoline tanks and truck fenders. This kit has two different truck fenders. Also here are instructions for log truck





Page 4 Fire truck

For fire truck you need to modify front of the cabin as on instructions. Be carefull when you build this and always measure before cutting. There are two ways to do this. You can cut part of the frame off as on picture. Also you need to cut of half of the head lights



Decals for UN tank truck.
Truck is white and there are UN decals with the kit.

